

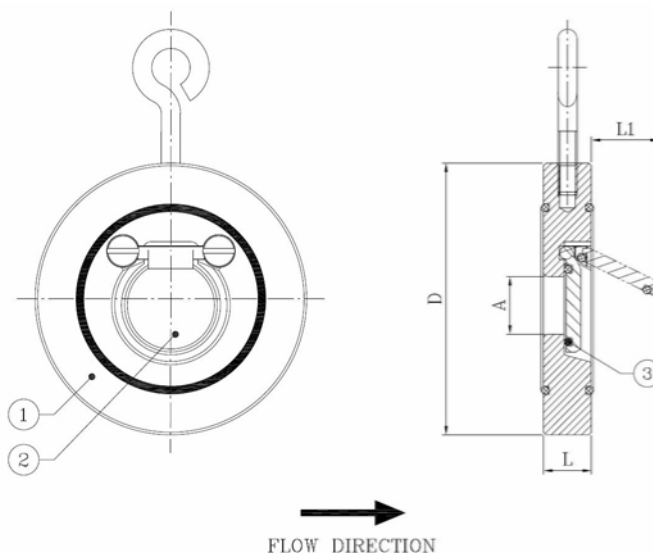
BV38-6666E-PN10/PN16

Wafer type swing check valve, mounting between flanges PN10/16

Face to Face Standard: Factory standard



Item Number	Belven Ref
383077N0032	BV38-6666E-PN16-DN032
383077N0040	BV38-6666E-PN16-DN040
383077N0050	BV38-6666E-PN16-DN050
383077N0065	BV38-6666E-PN16-DN065
383077N0080	BV38-6666E-PN16-DN080
383077N0100	BV38-6666E-PN16-DN100
383077N0125	BV38-6666E-PN16-DN125
383077N0150	BV38-6666E-PN16-DN150
383077N0200	BV38-6666E-PN16-DN200



DN/Size	A	D	L	L1	Press.Cl.	Weight(kg)
DN32 (1 1/4")	18	85	15	22	PN16	0.60
DN40 (1 1/2")	22	95	16	25	PN16	0.80
DN50 (2")	32	109	14	37	PN16	0.90
DN65 (2 1/2")	40	129	14	50	PN16	1.20
DN80 (3")	54	144	14	61	PN16	1.50
DN100 (4")	70	164	18	77	PN16	2.40
DN125 (5")	92	195	18	98	PN16	3.30
DN150 (6")	112	220	20	120	PN16	4.60
DN200 (8")	154	275	22	160	PN16	7.70

Item 1	Item 2	Item 3
Body Material	Disc Material	Seat Material
Stainless steel : 1.4408 (CF8M)	Stainless steel : 1.4408/1.4581 (CF8M/AISI 316Nb)	EPDM

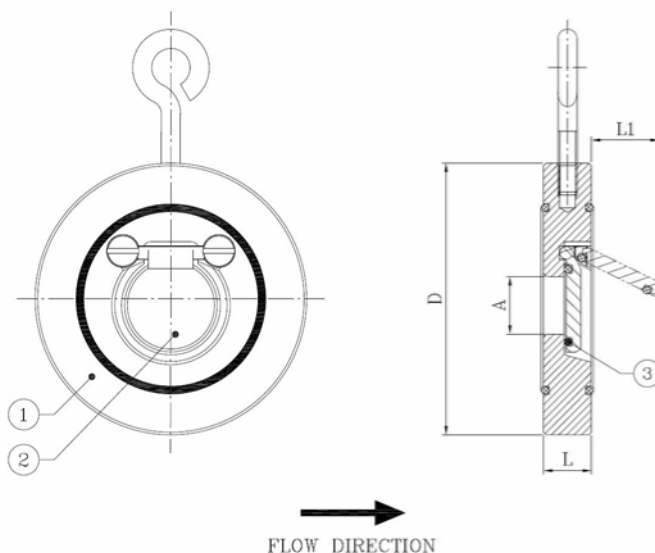
BV38-6666E-PN10

Wafer type swing check valve, mounting between flanges PN10

Face to Face Standard: Factory standard



Item Number	Belven Ref
382077N0250	BV38-6666E-PN10-DN250
382077N0300	BV38-6666E-PN10-DN300
382077N0350	BV38-6666E-PN10-DN350
382077N0400	BV38-6666E-PN10-DN400
382077N0450	BV38-6666E-PN10-DN450
382077N0500	BV38-6666E-PN10-DN500
382077N0600	BV38-6666E-PN10-DN600



DN/Size	A	D	L	L1	Press.Cl.	Weight(kg)
DN250 (10")	192	330	26	190	PN10	12.60
DN300 (12")	227	380	32	220	PN10	20.50
DN350 (14")	266	440	38	250	PN10	33.50
DN400 (16")	310	491	44	290	PN10	52.00
DN450 (18")	350	541	52	340	PN10	71.00
DN500 (20")	400	596	58	390	PN10	94.00
DN600 (24")	486	698	62	470	PN10	128.00

Item 1	Item 2	Item 3
Body Material	Disc Material	Seat Material
Stainless steel : 1.4408 (CF8M)	Stainless steel : 1.4408/1.4581 (CF8M/AISI 316Nb)	EPDM

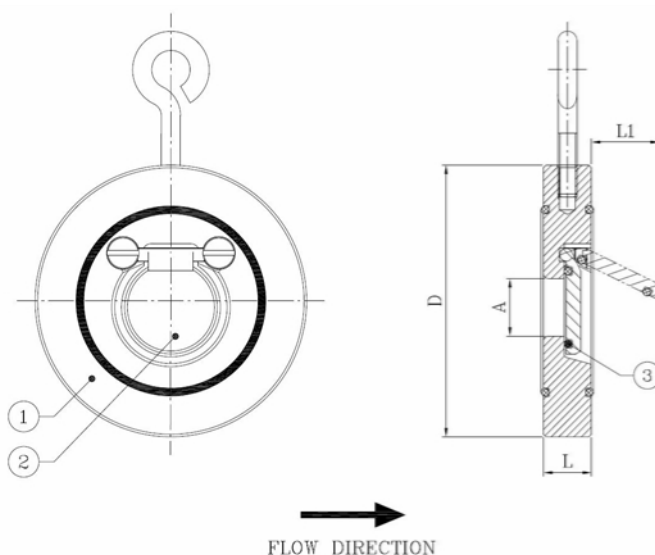
BV38-6666E-PN16

Wafer type swing check valve, mounting between flanges PN16

Face to Face Standard: Factory standard



Item Number	Belven Ref
383077N0250	BV38-6666E-PN16-DN250
383077N0300	BV38-6666E-PN16-DN300



DN/Size	A	D	L	L1	Press.Cl.	Weight(kg)
DN250 (10")	192	331	26	190	PN16	13.10
DN300 (12")	227	386	32	220	PN16	21.00

Item 1	Item 2	Item 3
Body Material	Disc Material	Seat Material
Stainless steel : 1.4408 (CF8M)	Stainless steel : 1.4408/1.4581 (CF8M/AISI 316Nb)	EPDM